



# DEEP REGRESSED

CES SERIES LED DOWNLIGHT





## The Original Commercial Retrofit Downlight In The U.S

A smart design that one LED engine fits all this product.

It has been upgraded 4th generation since 2013. The downlight system represents the culmination of engineering experience. We've made every engine to work seamlessly with the all trims, making it truly modular. What's more, it allows you to adapt to changing needs without renovations, putting you in complete control of your light. It is the ideal way to retrofit incandescent, CFL and HID to LED into existing recessed housing or frame-in kit.

It is designed and engineered for recessed applications, which is suitable for commercial and public places, such as shopping mall, hospital, airport, hotel lobby, etc.

### KEY FEATURES

- UL, CUL, Energy Star and Damp Rated
- CCT and wattage adjustable option
- 110-277 OR 110-347V AC Input option
- Twist-Lock Modular design
- Trim sizes: 4", 6", 8", 10"
- New construction frame available
- 5 years limited warranty
- Quickship from USA

### NEW CONSTRUCTION AND RETROFIT:

- Class A Office
- High-end Shops
- Contemporary
- Buildings
- Corridors
- Lobbies
- Hotel

# 10 Years Experiences Keep Innovation

CES LED downlight series have been handling any lighting retrofit or new construction since 2013. And now, they have been upgraded to Gen 4 in 2020. We constantly review our existing product line and apply the most updated technologies to ensure product competitive advantage.

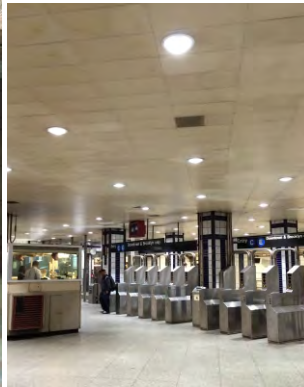


## Reliable -Trusted By Known Brands In North America

OKT is known for quality commercial LED downlights in North America. We made many projects all over in the United State, including office building, shopping mall, school, hospital, hotel, etc.



Location: New York Metro Station  
Time: 2014  
Product: LED Commercial Downlight  
Application: Retrofit



Location: Shopping Mall in North Carolina  
Time: 2014  
Product: LED Commercial Downlight  
Application: Retrofit





# Twist And Lock Engine - Lower Stock Risk Allow Easy Modifications On Site

Light engine is mounted directly to aluminum trim providing superior thermal management to ensure long life. Spun aluminum reflector integrated with haze finish and white trim ring with shadow free. Deeply regressed diffusing lens conceals the LEDs from direct view.



## LED Driver

Isolated and class 2 output led driver that accommodates input voltages from 110-277 volts AC or 110-347 volts AC, dimming with the use of most 1-10V dimmers.



# We deliver better light you can see, experience and benefit from.

We don't compromise on quality- so much so that all our commercial products are rigorously tested, often for years, to ensure the highest levels of performance and reliability.



Trim



Diffusing Cover



Connector



Conduit



LED Driver

## Excellent Heat-Sink

Light engine is mounted directly to aluminum trim providing superior thermal management to ensure long life.



## CCT Adjustable & Wattage Selectable

A adjustable slide switch comes standard with three adjustable wattage levels and three selectable CCT, providing the flexibility to adapt to the changing needs of the space, setting, or environment.

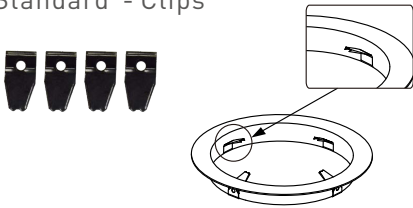


## Easy Installation

It is the ideal way to upgrade virtually any existing incandescent, CFL and HID commercial open frame rough-in section to high-performance LED illumination in a matter of minutes. It is provided with spring steel friction clips allowing for installation. Quick disconnection in j-box allows for easy wiring of retrofit conduit whip assembly without reflector interference.

### Mounting Accessory

#### Standard - Clips



#### Optional - Spring Clips

Designed for CES downlight fixation, this spring clip can be used to secure the light to the housing frame kit if the existing clips could not match the mounting diameters. Made of premium material for long time and durable use.



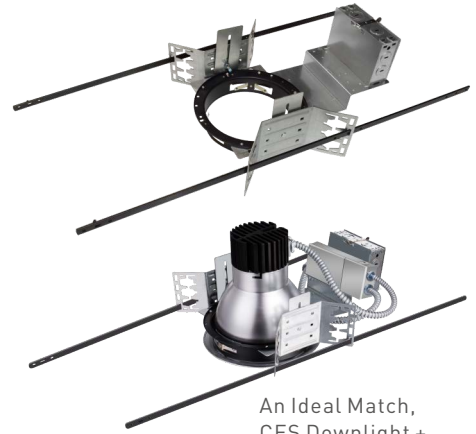
6inch

8inch

10inch

## Optional New Construction Frame Kit

The frame kit was specifically designed for the CES series, it delivers the perfect aperture for a tight, seamless fit. This minimizes the space and materials required for installation. Steel housing frames are suitable for new construction. They are available in 6inch, 8inch and 10inch.



An Ideal Match,  
CES Downlight +  
Frame Kits





## American's architectural and commercial LED Lighting Enthusiast

Founded in 2008, OKT is known for quality commercial and architectural lighting in North America. We deliver better light you can see, experience and benefit from. At OKT Lighting, our teams are made up of dreamers and doers who are committed to making better lighting. We're not only focused on making solutions that last, but on redefining what's possible, from the lighting we engineer to the value we add.

## WE ARE YOUR RELIABLE PARTNER

We are your logistics hub. Our network covers entire North America.

- Shipping within 48 hours
- Without Stock Risk
- No Tariff Worries
- Live Inventory Access
- 24/7 Online Service
- Local Assembly\*
- Prompt RMA
- Local OEM
- Dropship

We are your marketing dept., visual marketing support is available.

- Data Sheet
- Sales Sheet
- Installation Sheet
- IES
- Revit Files
- HD Photos
- Video
- Sample Bags
- Professional Product Training